



Congratulations on the purchase of your new Outer Banks Poly Lumber Adirondack Rocker. You will soon be sitting back and relaxing in the comfort of this classic chair when you follow these easy step by step instructions.

Important

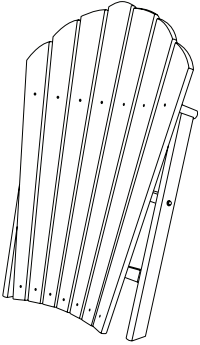
Please Read All Instructions Carefully Before Assembling This Product

- Inspect all parts to make sure that nothing is broken or missing. If something is broken or missing, please contact our service department at service@ecchairandbarstool.com.
- The rocker must be completely assembled before attempting to use it. Failure to do so could result in damage to the chair or the user.
- Use proper safety gear and follow appropriate safety precautions when assembling this product.
- **Important - Do not overtighten the screws.**
- Only hand tools should be used for assembly. Do not use power tools.
- East Coast Chair & Barstool will not be liable for any injury or damage resulting from improper assembly and/or use of this product.
- Failure to follow all instructions will result in the product warranty being voided.

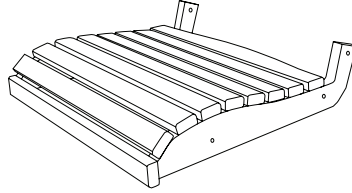
Parts

Make sure you have received everything. If anything is missing or damaged, please contact our service department at service@ecchairandbarstool.com.

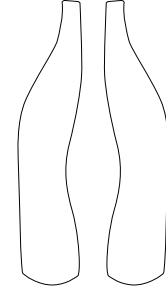
A Back - 1 pc



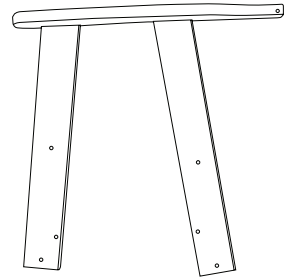
B Seat - 1 pc



C Arms - 2 pcs
1 Right
1 Left

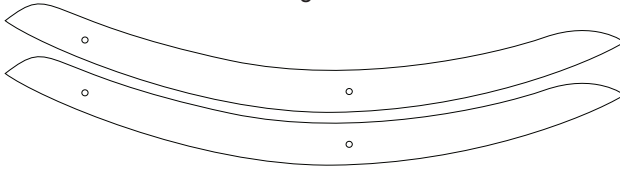


Top view of arms

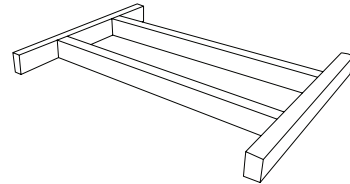


Side view of arms

D Rocker Bottoms - 2 pcs
These are interchangeable



E Brace - 1 pc



Hardware - Shown at Actual Size

Please note that for shipping purposes, the hardware will already be loosely attached in the appropriate holes.

F Bolts - 16 pcs



G Washers - 32 pcs



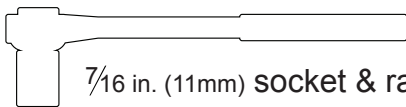
H Nut - 16 pcs



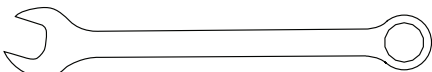
Important: When attaching the nuts, ALWAYS start with the metal part screwing onto the bolt/screw. Starting with the plastic part will not work and may cause the chair not to be properly assembled. See illustration to the right.



Tools - Not Included



7/16 in. (11mm) socket & ratchet



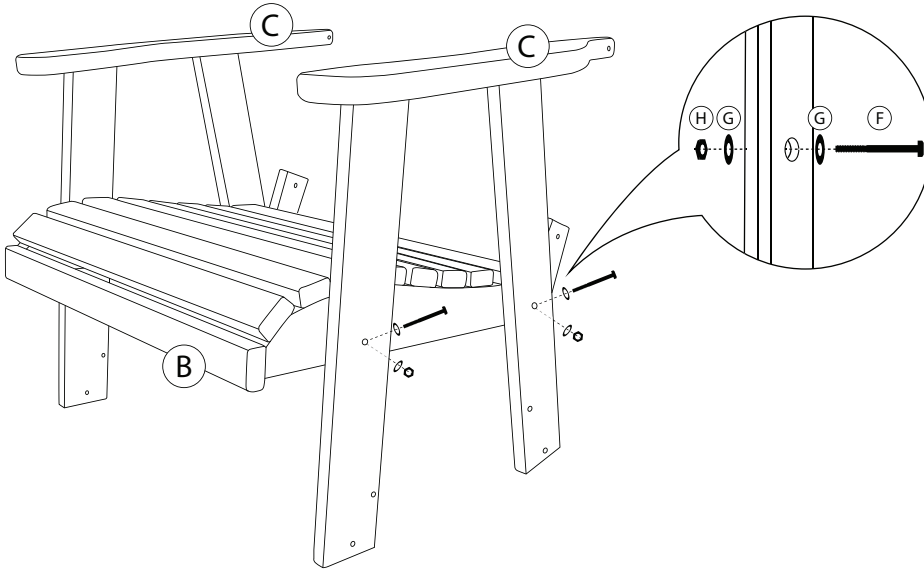
7/16 in. (11mm) open ended wrench

Let's Get Started!

Step 1 - Attach the Seat to the Arms

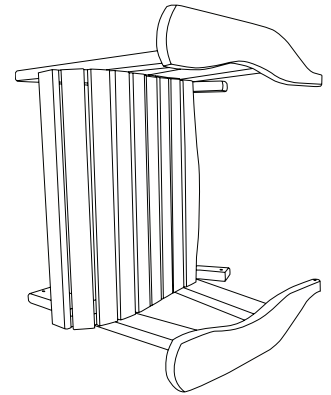
- Line up the top holes in the arms (C) to the holes on the side of the seat (B)
- Attach the arms (C) to the seat (B) using the hardware shown below

* You will first have to remove the hardware from those holes



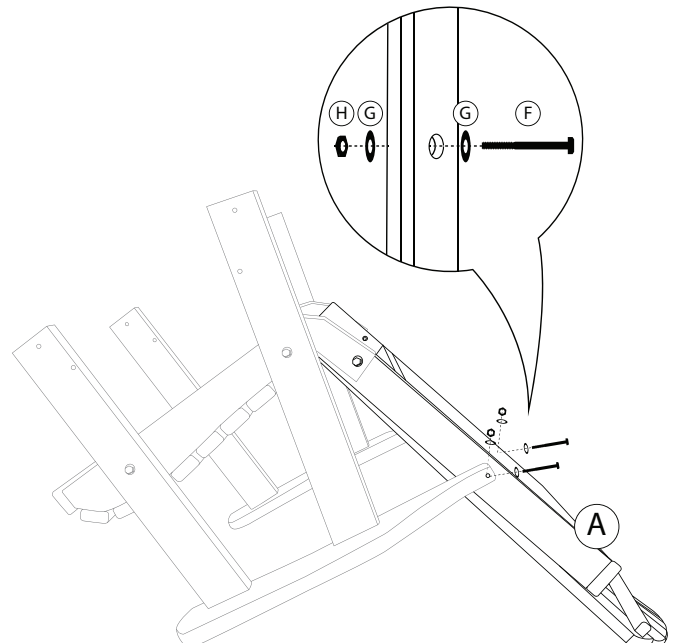
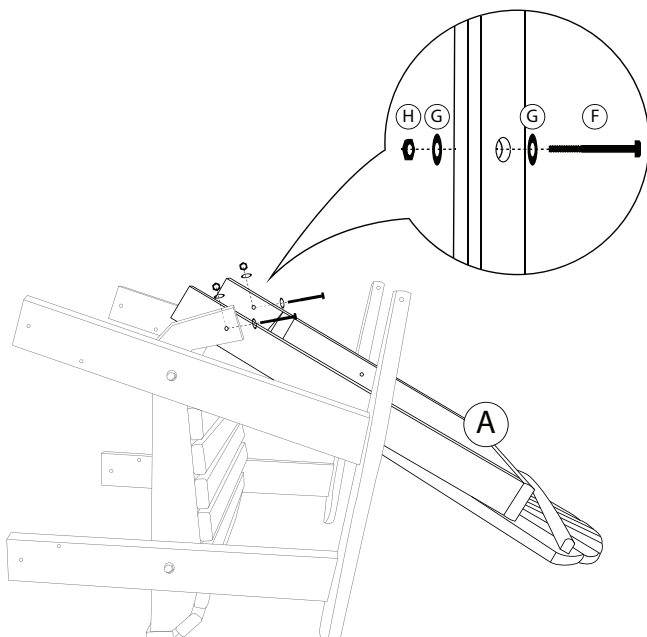
Tip

Lay the seat on its side when attaching the arms



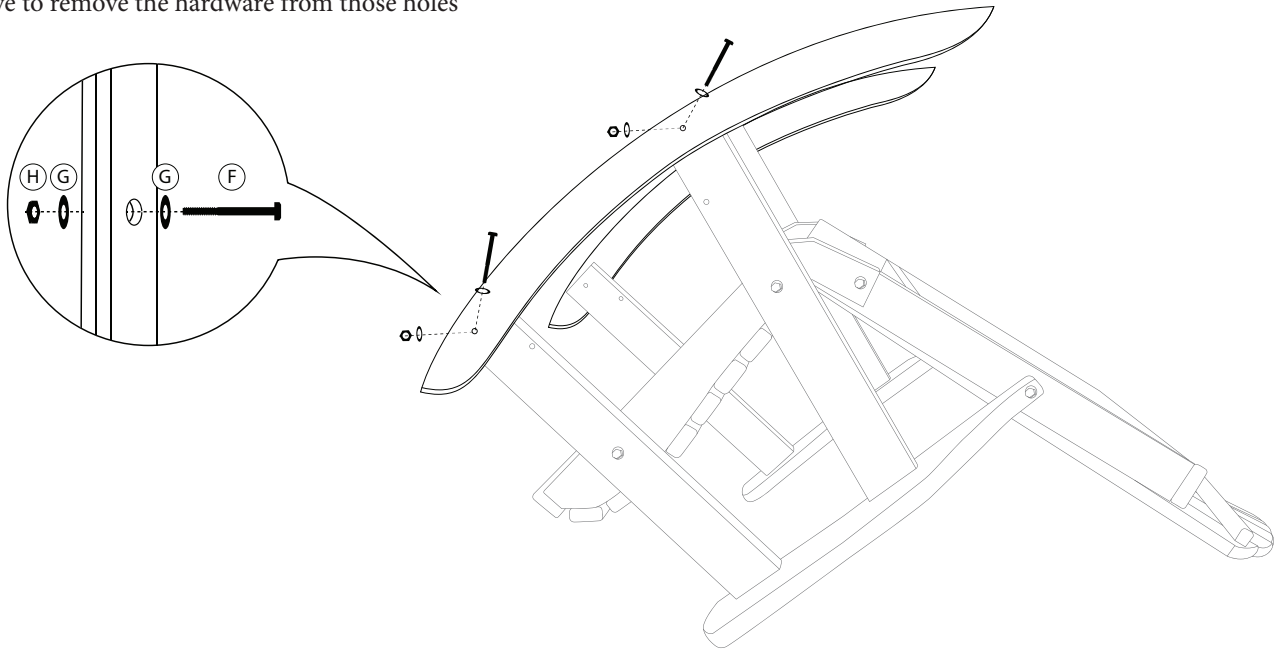
Step 2 - Attach the Back to the Seat and Arms

- Lay the seat and arms front side down (see graphic below), and line up the holes in the bottom of the back (A) to the holes in the rear of the seat (B)
- * You will first have to remove the hardware from those holes
- The weight of the back will now cause the seat to rock forward slightly, where you can now attach the back to the arms



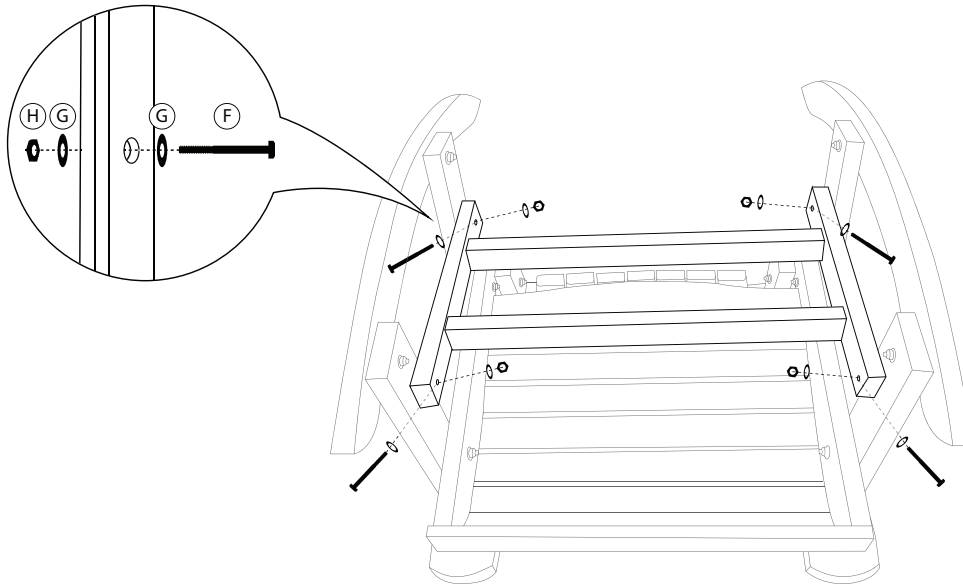
Step 3 - Attach the Rocker Bottoms

- Position the rocker bottoms (D) to the outside of the arms (C). Make sure the short end of the rocker bottoms are facing front
- Attach the rocker bottoms using the hardware shown below
- * You will first have to remove the hardware from those holes



Step 4 - Attach the Bottom Brace

- Place the brace (E) between the arms and attach it with the hardware shown below
- * You will first have to remove the hardware from those holes



Care
