



ECCB
OUTDOOR

Assembly Instructions

Deluxe Adirondack Chair



Congratulations on the purchase of your new Outer Banks Deluxe Poly Lumber Folding Adirondack Chair. You will soon be sitting back and relaxing in the comfort of this classic chair when you follow these easy step by step instructions.

For your convenience, we also have a video tutorial available for the assembly of this product at:
www.youtube.com/watch?v=_5NmkdlysiQ

Important

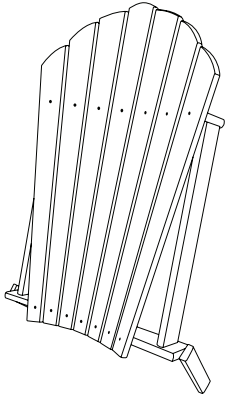
Please Read All Instructions Carefully Before Assembling This Product

- Inspect all parts to make sure that nothing is broken or missing. If something is broken or missing, please contact our service department at service@ecchairandbarstool.com.
- The chair must be completely assembled before attempting to use it. Failure to do so could result in damage to the chair or the user.
- Use proper safety gear and follow appropriate safety precautions when assembling this product.
- **Important - Do not over-tighten the screws.**
- Only hand tools should be used for assembly. Do not use power tools.
- ECCB Outdoor will not be liable for any injury or damage resulting from improper assembly and/or use of this product.
- Failure to follow all instructions will result in the product warranty being voided.

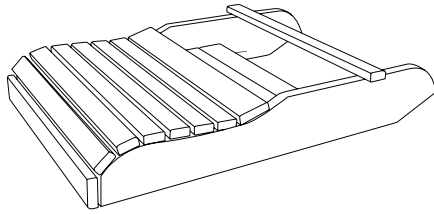
Parts

Make sure you have received everything. If anything is missing or damaged, please contact our service department at service@ecchairandbarstool.com.

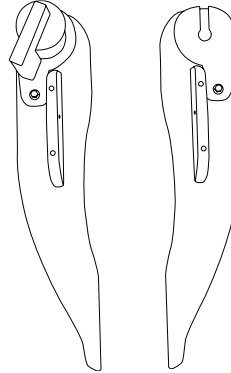
A Back - 1 pc



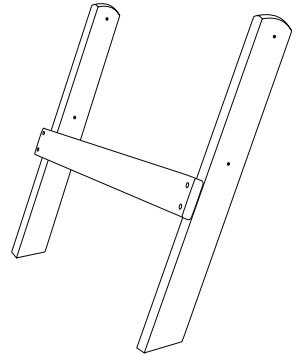
B Seat - 1 pc



C Arms - 2 pcs
1 Right (with cupholder)
1 Left (with wine holder)



D Brace



Hardware - Shown at Actual Size

E Lag Screws - 2 pcs



F Bolts - 6 pcs



G Washers - 14 pcs



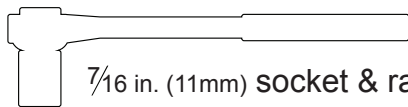
H Nut - 6 pcs



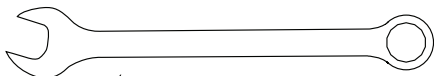
Important: When attaching the nuts, ALWAYS start with the metal part screwing onto the bolt/screw. Starting with the plastic part will not work and may cause the chair not to be properly assembled. See illustration to the right.



Tools - Not Included



7/16 in. (11mm) socket & ratchet



7/16 in. (11mm) open ended wrench

Let's Get Started!

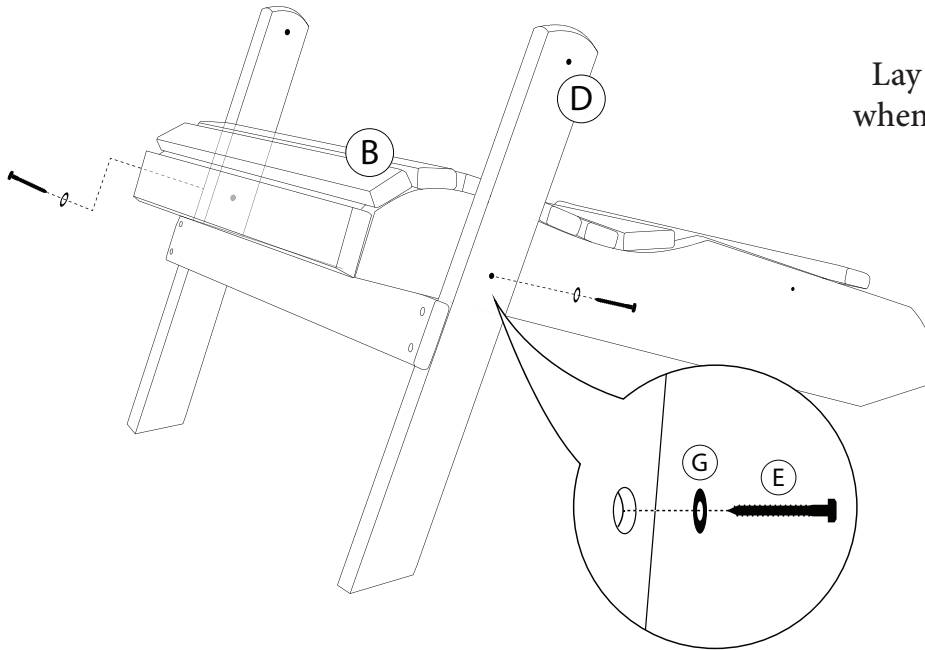
Step 1 - Attach the Seat to the Brace

- Attach the brace (D) to the seat (B) using the lag screws (E)



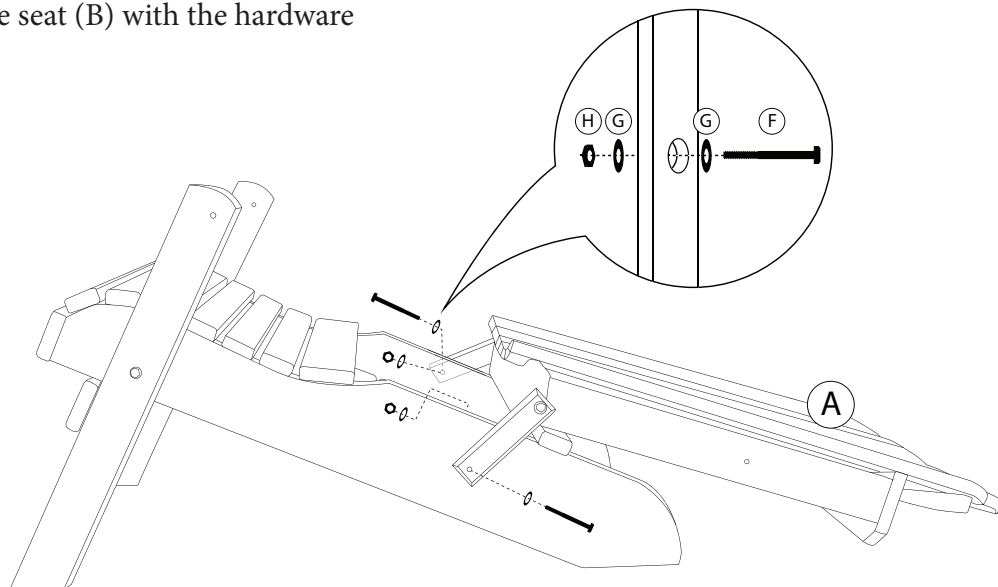
Tip

Lay the seat on its side when attaching the brace



Step 2 - Attach the Back to the Seat

- Lay the seat and the back on a flat surface with the legs extended
- Line up the movable joints on the back (A) with the holes in the rear of the seat (B)
- Attach the back (A) to the seat (B) with the hardware



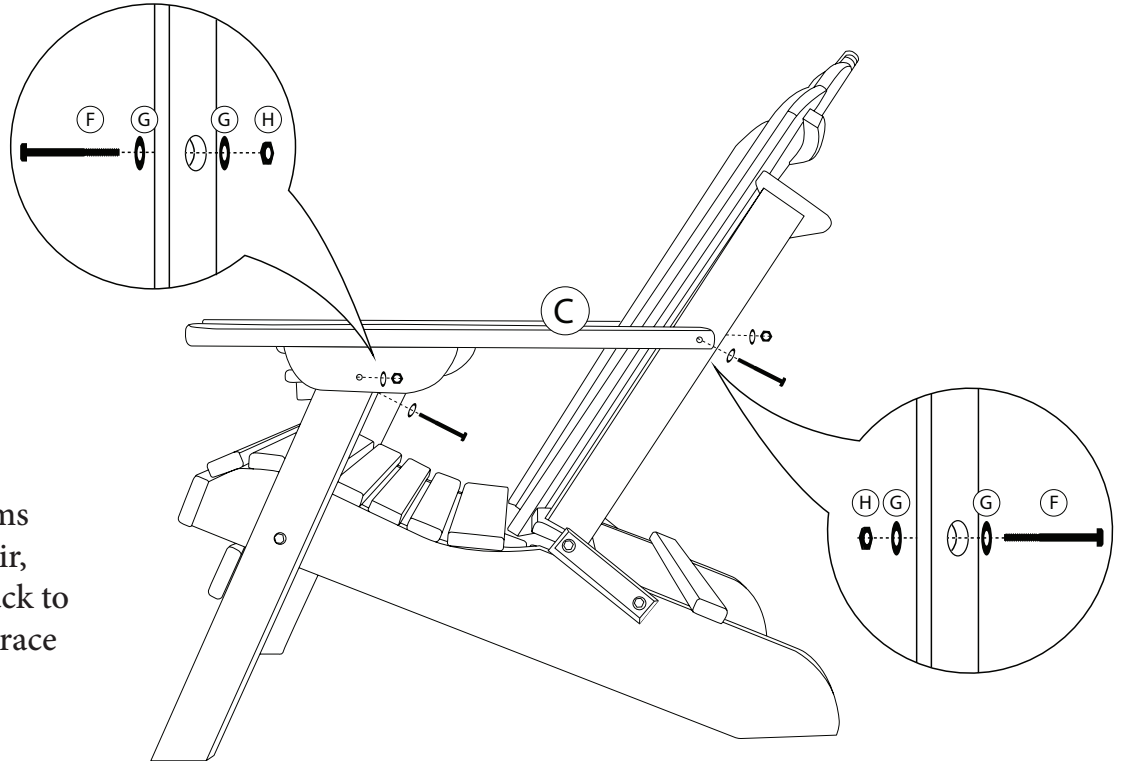
Step 3 - Attach the Arms to the Chair

- Attach the arms (C) to the back (A) and the brace (D)
- Make sure the bolt is inserted from the inside of the chair when attaching the arm to the brace



Tip

Loosely attach the arms to the back of the chair, then fold up the chair back to attach the arms to the brace



Care

Poly lumber is easy to clean and maintain. Dust with a soft cloth or soft bristle brush, and tend to spills and stains with a mild soap and water. No waterproofing, no staining, and no painting is ever required! **IMPORTANT!** Periodically check to make sure that all screws are properly tightened.

That's all there is to it and now you have a comfortable chair that we hope you will enjoy. Thank you for your business!