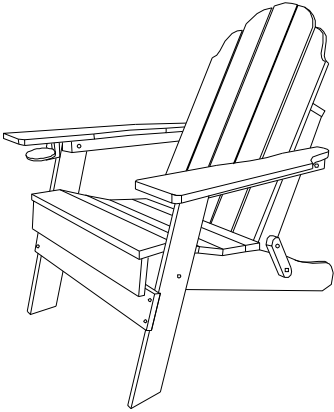
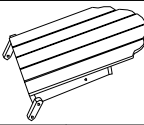
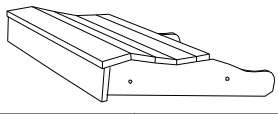


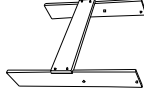
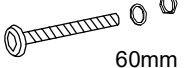
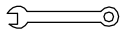
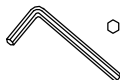


Instruction Manual Assembly Instructions

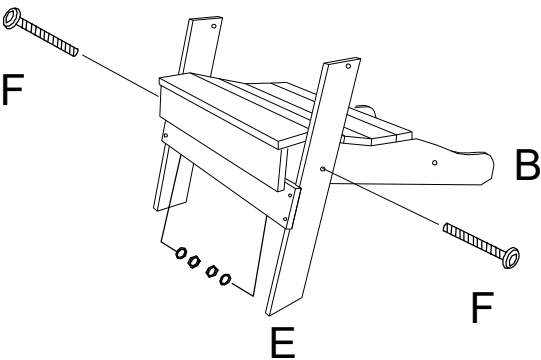
St. Lucia Collection Adirondack Chair



Note: Do not tighten all screws until last step

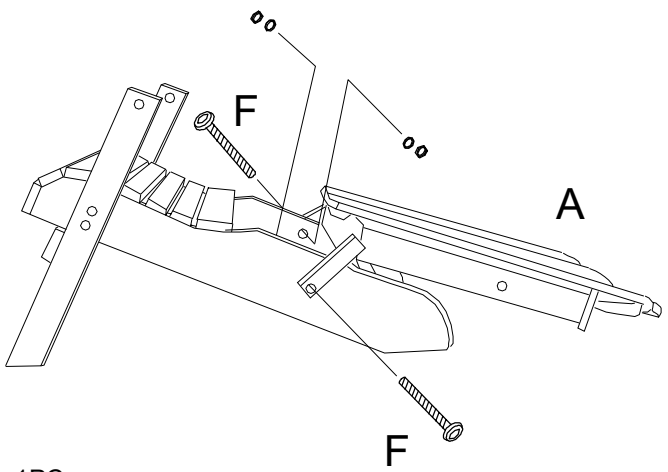
A Back - 1pc		B Seat - 1pc	
			
C Arm - 1pc	D Arm - 1pc	E Brace - 1pc	F Hardware - 8sets
1 Right Arm (with cup holder) 	1 Right Arm (with wine holder) 		 60mm
TOOLS & MATERIALS NEEDED			
10mm  Wrench		 L Shape Hex Wrench	

1



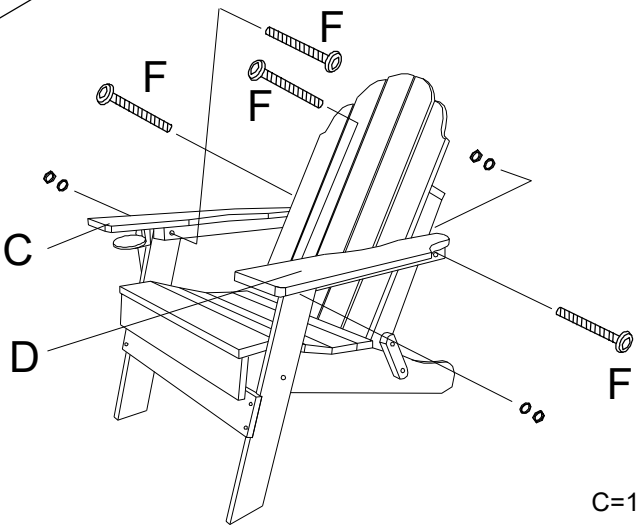
B=1PC
E=1SET
F=2SETS

2



A=1PC
F=2SETS

3



C=1PC
D=1PC
F=4SETS

